

DWG. NO. SD-54765-032

F

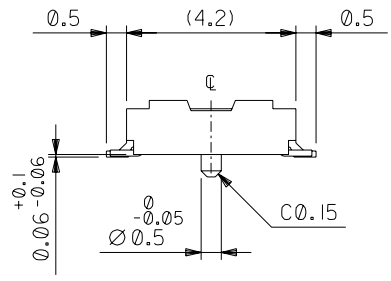
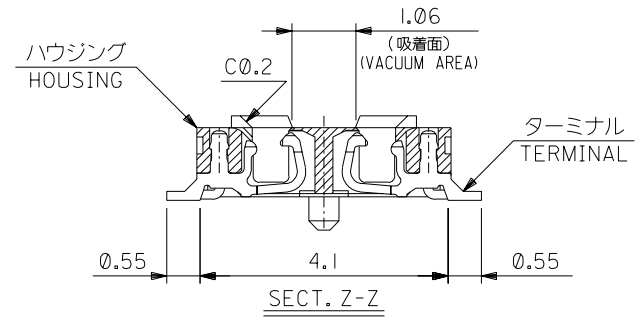
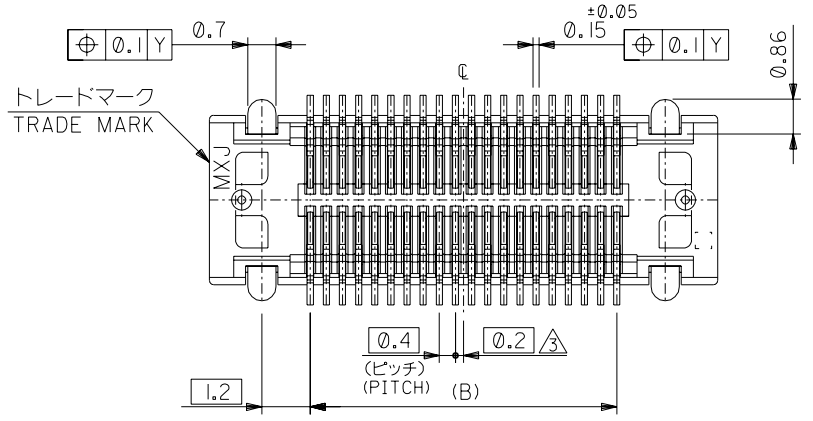
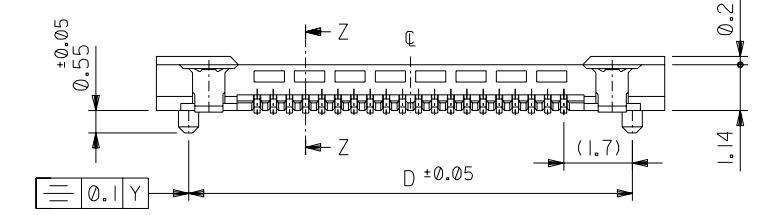
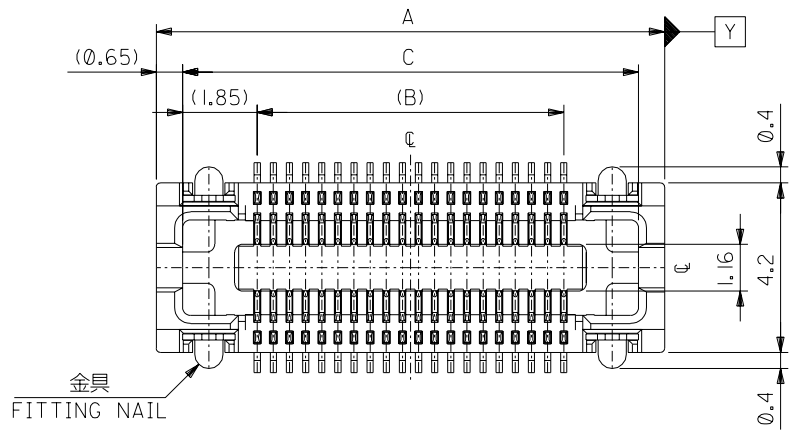
D

V

C

B

DO NOT SCALE DRAWING



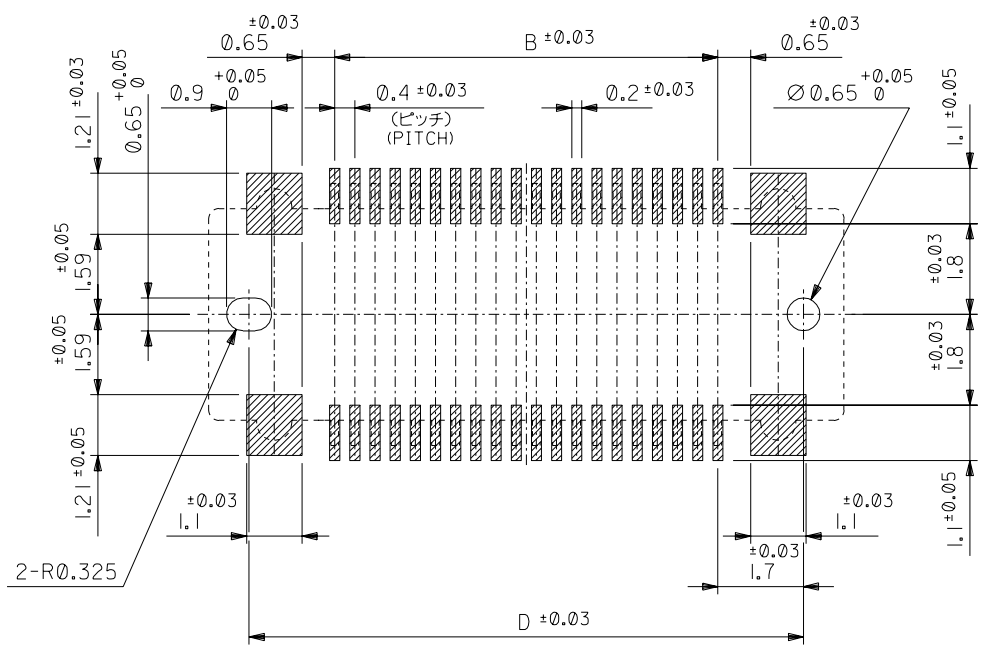
17	17.3	13.6	18.6	54765-0709	70
13	13.3	9.6	14.6	54765-0509	50
9	9.3	5.6	10.6	54765-0309	30
D	C	B	A	MATERIAL NO.	Ck+

8 7 6 5 4 3 2 1	DWG. NO. SD-54765-032	8 7 6 5 4 3 2 1	0 REV	MATERIAL 材料 注記参照 SEE NOTES //	GENERAL TOLERANCES: (UNLESS SPECIFIED) 一般公差 10 UNDER 未滿 ±0.2 10 OVER 30 UNDER 未滿 ±0.25 30 OVER 以上 ±0.3 ANGLE 角度 ±3°	SCALE 1/1 DESIGN UNITS <input checked="" type="checkbox"/> mm <input type="checkbox"/> INCH DRAWN BY & DATE M.NAGATA '04/03/04 CHECKED BY & DATE K.TOJO '04/03/04 APPROVED BY & DATE M.SASAO '04/03/04 CAD FILENAME SD-54765-032.S01	MODEL NO. 54765-***9 DIMENSIONS: <input type="checkbox"/> mm <input type="checkbox"/> INCH <input checked="" type="checkbox"/> mm ONLY <input checked="" type="checkbox"/> FIRST ANGLE PROJECTION TITLE: 0.4 B-To-B Rec Hsg Assy WITH GUIDE (Hgt=1.5) -LEAD FREE- MOLEX MOLEX INCORPORATED	SHT 1 OF 2 REV B	EN-02J(097) MXJ-54

A

DWG. NO. SD-54765-032

8 7 6 5 4 3 2 1



参考基板レイアウト (マウント面)
P.C.BOARD PATTERN DIMENSION (REFERENCE)
(MOUNTING AREA)

注記 NOTES

- 使用材料 MATERIAL
ハウジング:液晶ポリマー ガラス充填 UL94V-0 (黒)
HOUSING: LIQUID CRYSTAL POLYMER (GLASS FILLED)
UL94V-0 (COLOR:BLACK)
ターミナル:リン青銅 (t=0.15)
TERMINAL: PHOSPHOR BRONZE (t=0.15)
金具:リン青銅 (t=0.15)
FITTING NAIL: PHOSPHOR BRONZE (t=0.15)
- メッキ仕様 PLATING
ターミナル TERMINAL
金メッキ 0.25マイクロメートル以上 (コンタクト部)
GOLD 0.25MICROMETER MINIMUM (CONTACT AREA)
金メッキ 0.4マイクロメートル以下 (テール部)
GOLD 0.4MICROMETER MAXIMUM (TAIL AREA)
下地メッキ: ニッケルメッキ 1.5マイクロメートル以上
UNDER PLATING: NICKEL 1.5MICROMETER MINIMUM
金具 FITTING NAIL
錫メッキ 1.0マイクロメートル以上
TIN 1.0MICROMETER MINIMUM
下地メッキ: ニッケルメッキ 1.0マイクロメートル以上
UNDER PLATING: NICKEL 1.0MICROMETER MINIMUM
- △ (全極数/2) = 偶数の場合に適用。
APPLY FOR (CIRCUIT/2) = EVEN
- 嵌合相手: 55604 SERIES
MATE WITH: 55604 SERIES
- テール平坦度は、0.08以下
テール及び金具の平坦度は、0.1以下
TAIL COPLANARITY TO BE 0.08 MAXIMUM.
TAIL AND FITTING NAIL
COPLANARITY TO BE 0.1 MAXIMUM.
- 本製品は54765-***1の鉛フリー品である。
THIS PRODUCT IS LEAD FREE OF 54765-***1

DO NOT SCALE DRAWING

64 NO. DRWN: CH'K: APPR: 63 NO. DRWN: CH'K: APPR: 62 NO. DRWN: CH'K: APPR: 61 NO. DRWN: CH'K: APPR: RELEASED '04/03/04 60 NO. J2004-2851 DRWN: M.NAGATA CH'K: K.TOUJO APPR: M.SASAO	MATERIAL 材料 注記参照 SEE NOTES FINISH 仕上げ // WIRE RANGE 適用電線範囲 // INS. RANGE 被覆外径 //	GENERAL TOLERANCES: (UNLESS SPECIFIED) 一般公差 10 UNDER 未満 ±0.2 10 OVER 以上 30 UNDER 未満 ±0.25 30 OVER 以上 ±0.3 ANGLE 角度 ±3°	SCALE 1/1 DESIGN UNITS <input checked="" type="checkbox"/> mm <input type="checkbox"/> INCH <input type="checkbox"/> mm <input type="checkbox"/> INCH DRAWN BY & DATE M.NAGATA '04/03/04 CHECKED BY & DATE K.TOUJO '04/03/04 APPROVED BY & DATE M.SASAO '04/03/04 CAD FILENAME SD-54765-032.S02	MODEL NO. 54765-***9 DIMENSIONS: <input type="checkbox"/> mm <input type="checkbox"/> INCH <input checked="" type="checkbox"/> mm <input type="checkbox"/> INCH ONLY SHT 2 REV TITLE: 0.4 B-To-B Rec Hsg Assy WITH GUIDE (Hgt=1.5) -LEAD FREE- MOLEX INCORPORATED	DIMENSIONS: <input type="checkbox"/> mm <input type="checkbox"/> INCH <input checked="" type="checkbox"/> mm <input type="checkbox"/> INCH ONLY SHT 2 REV MATERIAL NO. SEE CHART DRAWING NO. SD-54765-032 SHEET NO. 2
		THIS DRAWING CONTAINS INFORMATION THAT IS PROPRIETARY TO MOLEX INCORPORATED AND SHOULD NOT BE USED WITHOUT WRITTEN PERMISSION.		SIZE B	

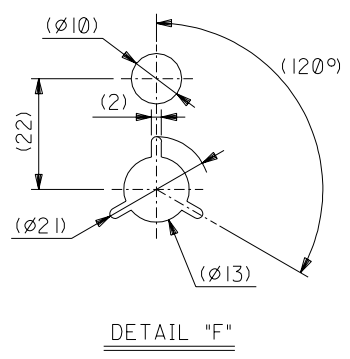
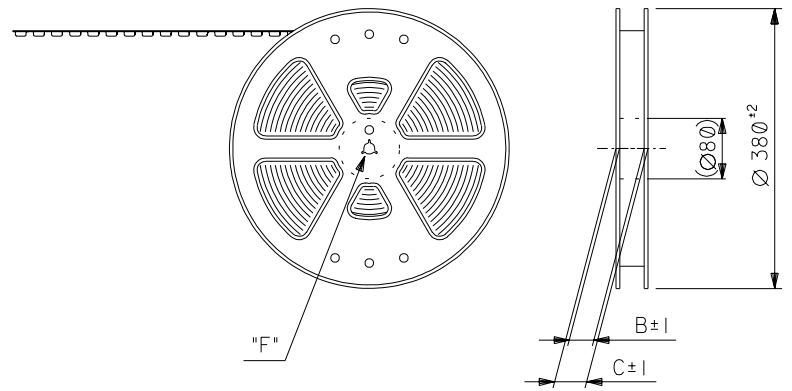
8 7 6 5 4 3 2 1 EN-02J(097) MXJ-54

SD-54765-032.S02

DWG. NO. SD-54765-033

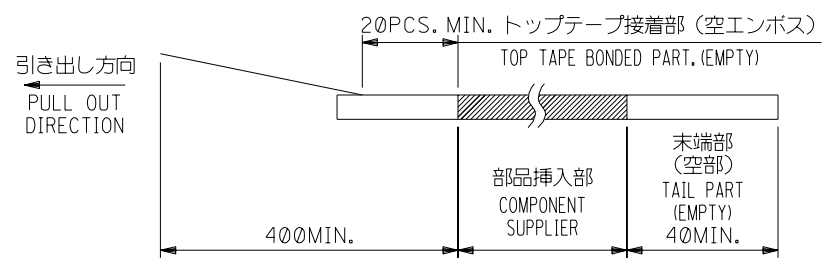
8 7 6 5 4 3 2 1

引き出し方向
PULL OUT DIRECTION

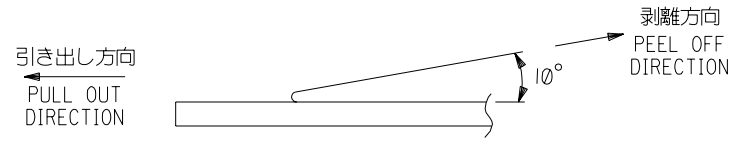


注記 NOTES

- 製品詳細寸法については図面 SD-54765-032 を参照下さい。
RE DETAILED DIMENSION, SEE SD-54765-032
- 梱包数量：2500個/リール
NUMBER OF CONNECTORS : 2500PCS/REEL
- リードテープ長さ LEAD TAPE LENGTH



- トップテープの剥離強度：0.1～1.3N(10～130gf)
(剥離方向は下図参照)
尚、本規格値は出荷時に適用。(但し、輸送時に剥離が発生しないこと。)
PEELING OFF FORCE OF TOP TAPE : 0.1～1.3N(10～130gf)
(PEELING DIRECTION AS SHOWN IN FOLLOWING FIG.)
THIS REQUIREMENT SHOULD BE APPLIED AT SHIPMENT.
PEEL OFF SHOULD NOT BE ALLOWED , DURING TRANSPORTATION.



- 材料 MATERIAL
キャリアテープ (CARRIER TAPE) : ポリプロピレン (POLYPROPYLENE)
トップテープ (TOPTAPE) : PET , PE , PEF
リール (REEL) : ポリスチレン (PS) <リサイクル材を含む>
POLYSTYREN(PS) <RECYCLE MATERIAL CONTAINED>
- 本製品は54765-***8の鉛フリー品である。
THIS PRODUCT IS LEAD FREE OF 54765-***8

DO NOT SCALE DRAWING

DWG. NO. SD-54765-033	8	7	6	5	4	3	2	MODEL NO.	54765-***8	DIMENSIONS:	SHT	REV
								SCALE	DESIGN UNITS	PROJECTION	mm ONLY	INCH
DWG. NO. SD-54765-033	8	7	6	5	4	3	2	GENERAL TOLERANCES: (UNLESS SPECIFIED) 一般公差	10 UNDER 未満	±0.2	DRAWN BY & DATE M.NAGATA '04/03/04	TITLE: 0.4 B-To-B Rec Assy W/Gde (Hgt=1.5) Embstp Pkg -LEAD FREE-
								10 OVER 30 UNDER 未満	±0.25	CHECKED BY & DATE K.TOJO '04/03/04		
DWG. NO. SD-54765-033	8	7	6	5	4	3	2	30 OVER 以上	±0.3	APPROVED BY & DATE M.SASAO '04/03/04	MATERIAL NO. SD-54765-033.S01	DRAWING NO. SD-54765-033
								ANGLE 角度	±3°	CAD FILENAME		
MATERIAL 材料								注記参照 SEE NOTES				
FINISH 仕上げ								//				
WIRE RANGE 適用電線範囲								//				
INS. RANGE 被覆外径								//				
RELEASED '04/03/04 J2004-2851 DRWN: M.NAGATA CHK: K.TOJO APPR: M.SASAO								MATERIAL NO. SD-54765-033				
DWG. NO. SD-54765-033								DRAWING NO. SD-54765-033				
DWG. NO. SD-54765-033								SHEET NO. 1 OF 3				
DWG. NO. SD-54765-033								SIZE B				
DWG. NO. SD-54765-033								EN-02J(097) MXJ-54				

A SD-54765-033.S01

DWG. NO. SD-54765-033

F

D

V

C

B

DO NOT SCALE DRAWING

8 7 6 5 4 3 2 1

F

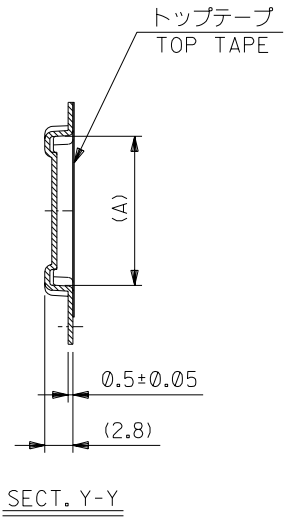
E

D

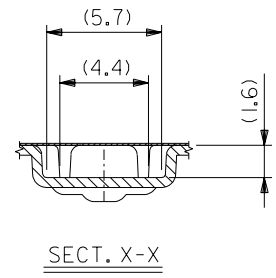
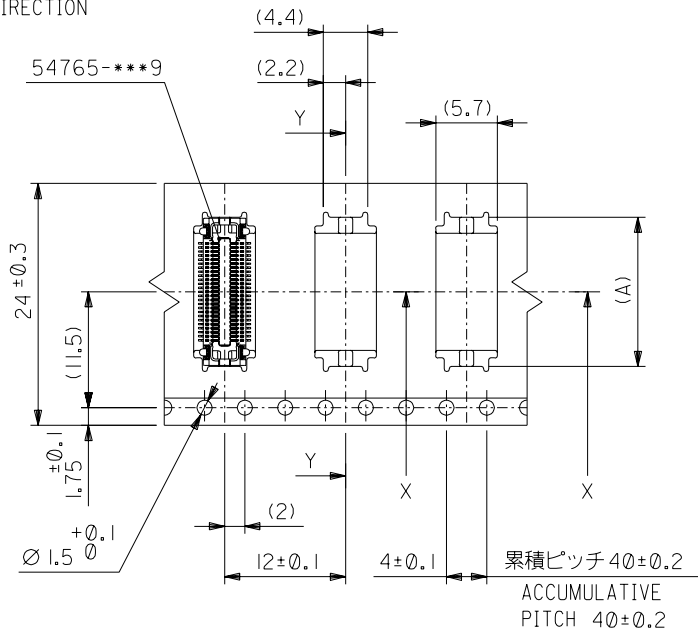
C

B

A



引き出し方向
PULL OUT
DIRECTION



24mm幅キャリアテープ
24mm WIDTH CARRIER TAPE

24	29.4	25.4	14.8	54765-0578	50
			10.8	54765-0378	30
キャリアテープ幅 CARRIER TAPE WIDTH		C	B	(A)	MATERIAL NO. 極数 Ck+

MODEL NO.	54765-***78	DIMENSIONS:	SHT	REV
SCALE	DESIGN UNITS	PROJECTION	mm ONLY	mm ONLY
///	mm <input checked="" type="checkbox"/> INCH <input type="checkbox"/>	1st ANGLE	<input type="checkbox"/> mm ONLY	BEVISE ON CAD ONLY

63NO.	DRWN:	CHK:	APPR:	63NO.	DRWN:	CHK:	APPR:	62NO.	DRWN:	CHK:	APPR:	61NO.	DRWN:	CHK:	APPR:	RELEASED	04/03/04	08NO.	J2004-2851	DRWN:	M.NAGATA	CHK:	K.TOJO	APPR:	M.SASAO
0	DESCRIPTION																								
MATERIAL 材料																									
FINISH 仕上げ																									
WIRE RANGE 適用電線範囲																									
INS. RANGE 被覆外径																									

GENERAL TOLERANCES: (UNLESS SPECIFIED) 一般公差		10 UNDER 未滿	±0.2
		10 OVER 以上 30 UNDER 未滿	±0.25
		30 OVER 以上	±0.3
ANGLE 角度			±3°

DRAWN BY & DATE M.NAGATA '04/03/04		TITLE: 0.4 B-To-B Rec Assy W/Gde (Hgt=1.5) Embstp Pkg -LEAD FREE-	
CHECKED BY & DATE K.TOJO '04/03/04		MOLEX INCORPORATED	
APPROVED BY & DATE M.SASAO '04/03/04		MATERIAL NO. SEE CHART	
CAD FILENAME SD-54765-033.S02		DRAWING NO. SD-54765-033	
THIS DRAWING CONTAINS INFORMATION THAT IS PROPRIETARY TO MOLEX INCORPORATED AND SHOULD NOT BE USED WITHOUT WRITTEN PERMISSION.		SHEET NO. 2 OF 3	

8 7 6 5 4 3 2 1 EN-02J(097) MXJ-54

DWG. NO. SD-54765-033

F

D

V

C

B

DO NOT SCALE DRAWING

8 7 6 5 4 3 2 1

F

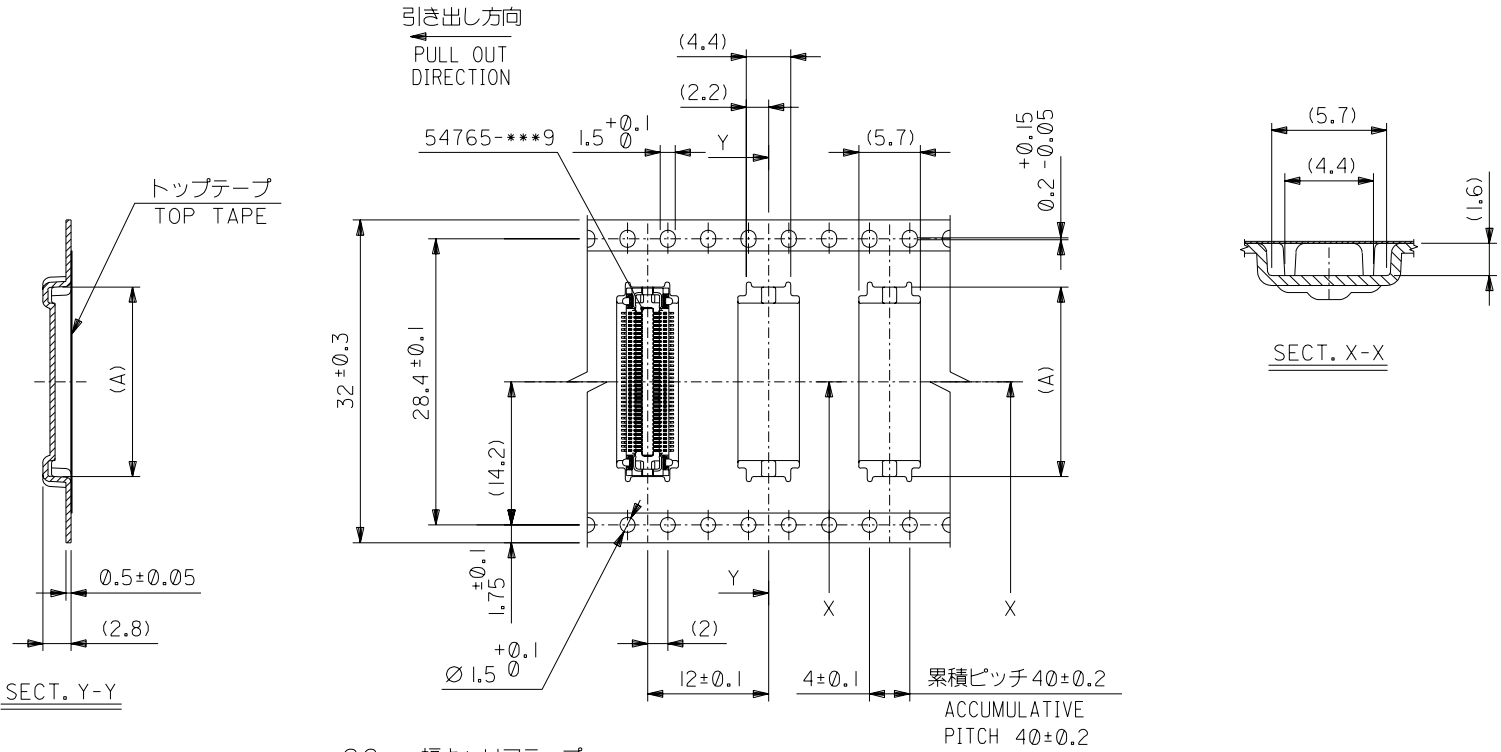
E

D

C

B

A



32mm幅キャリアテープ
32mm WIDTH CARRIER TAPE

32	37.4	33.4	18.8	54765-0778	70
キャリアテープ幅 CARRIER TAPE WIDTH		D	B	(A)	極数 Ckt
MODEL NO.		54765-**78		DIMENSIONS:	
SCALE		DESIGN UNITS		SHT	
//		mm □ INCH		REV	
		PROJECTION		CAD ONLY	

634NO. DRWN: CHK: APPR:	633NO. DRWN: CHK: APPR:	632NO. DRWN: CHK: APPR:	631NO. DRWN: CHK: APPR:	RELEASED 04/03/04 J2004-2851 DRWN: M.NAGATA CHK: K.TOJO APPR: M.SASAO	0
DESCRIPTION					REV
MATERIAL 材料					INS. RANGE 被覆外径
FINISH 仕上げ					WIRE RANGE 適用電線範囲
GENERAL TOLERANCES: (UNLESS SPECIFIED) 一般公差					ANGLE 角度
10 UNDER 未満					±0.2
10 OVER 以上 30 UNDER 未満					±0.25
30 OVER 以上					±0.3
DRAWN BY & DATE M.NAGATA '04/03/04					CAD FILENAME SD-54765-033.S03
CHECKED BY & DATE K.TOJO '04/03/04					MATERIAL NO. SEE CHART
APPROVED BY & DATE M.SASAO '04/03/04					DRAWING NO. SD-54765-033
TITLE: 0.4 B-To-B Rec Assy W/Gde (Hgt=1.5) Embstp Pkg -LEAD FREE-					SHEET NO. 3
MOLEX INCORPORATED					SIZE B

注記参照 SEE NOTES	注記参照 //	注記参照 //	注記参照 //
-------------------	------------	------------	------------

DRAWN BY & DATE M.NAGATA '04/03/04				TITLE: 0.4 B-To-B Rec Assy W/Gde (Hgt=1.5) Embstp Pkg -LEAD FREE-	
CHECKED BY & DATE K.TOJO '04/03/04				MOLEX INCORPORATED	
APPROVED BY & DATE M.SASAO '04/03/04				MATERIAL NO. SEE CHART	
CAD FILENAME SD-54765-033.S03				DRAWING NO. SD-54765-033	
THIS DRAWING CONTAINS INFORMATION THAT IS PROPRIETARY TO MOLEX INCORPORATED AND SHOULD NOT BE USED WITHOUT WRITTEN PERMISSION.				SHEET NO. 3	
				SIZE B	

8 7 6 5 4 3 2 1 EN-02J(097) MXJ-54