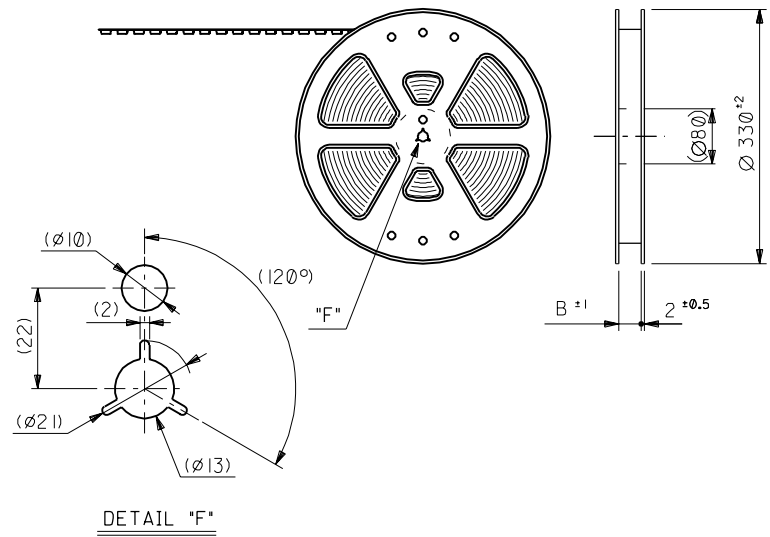


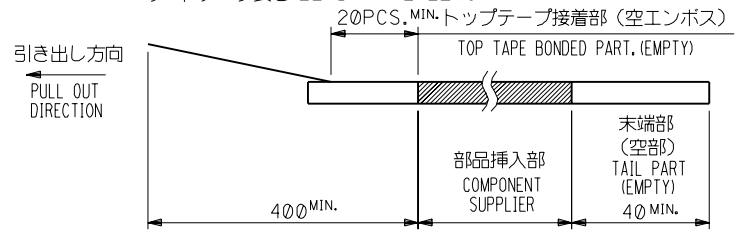
DWG. NO. SD-55560-008

引き出し方向  
PULL OUT DIRECTION

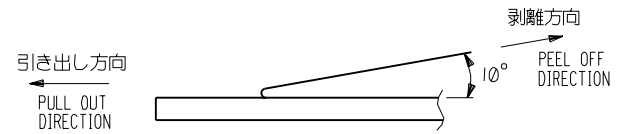


NOTES

- 製品詳細寸法については図面 SD-55560-006 を参照下さい。  
RE DETAILED DIMENSION, SEE SD-55560-006
- 梱包数量：2000個/リール  
NUMBER OF CONNECTORS：2000PCS/REEL
- リードテープ長さ LEAD TAPE LENGTH



- トップテープの剥離強度：0.1N ~ 0.7N(10.2gf ~ 71.4gf)  
(剥離方向は下図参照)  
尚、本規格値は出荷時に適用。(但し、輸送時に剥離が発生しないこと。)  
PEELING OFF FORCE OF TOP TAPE：0.1N ~ 0.7N(10.2gf ~ 71.4gf)  
(PEELING DIRECTION AS SHOWN IN FOLLOWING FIG.)  
THIS REQUIREMENT SHOULD BE APPLIED AT SHIPMENT.  
PEEL OFF SHOULD NOT BE ALLOWED, DURING TRANSPORTATION.

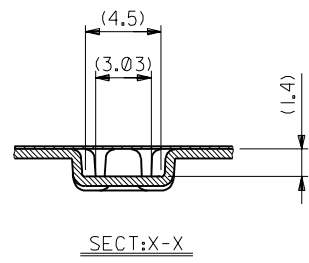
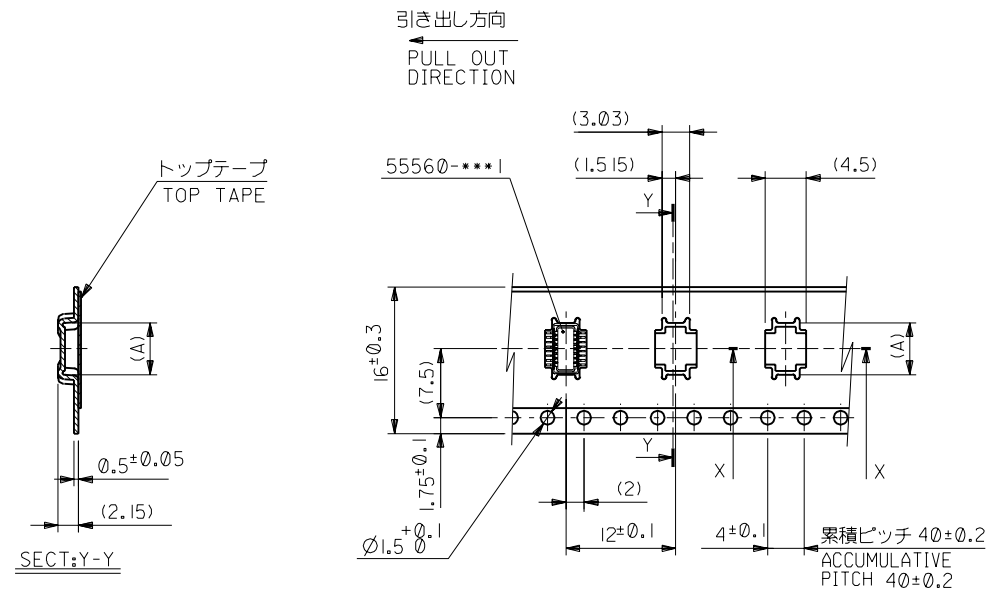


- 材料 キャリアテープ：ポリプロピレン (PP)  
トップテープ：PET, PE, PEF  
リール：ポリスチレン (PS) <リサイクル材を含む>

MATERIAL CARRIER TAPE: POLYPROPYLENE  
TOP TAPE: PET, PE, PEF  
REEL: POLYSTYREN(PS)  
<RECYCLE MATERIAL CONTAINED>

DO NOT SCALE DRAWING

REV. NO.	REV. DESCRIPTION	MATERIAL 材料	GENERAL TOLERANCES: (UNLESS SPECIFIED) 一般公差		SCALE 1/1	DESIGN UNITS ① mm ② INCH	MODEL NO. 55560-***8	DIMENSIONS: 寸法			SHT 1	REV 0
			10 UNDER 未満	±0.2				DRAWN BY & DATE S. AIHARA '00/11/28	mm	INCH		
REV. NO.	REV. DESCRIPTION	MATERIAL 材料	FINISH 仕上げ		SCALE 1/1	DESIGN UNITS ① mm ② INCH	MODEL NO. 55560-***8	TITLE: 0.5 B-To-B Conn PLUG Assy (Hgt=1.5) Embstp Pkg			SHT 1	REV 0
			10 OVER 以上	30 UNDER 未満				±0.25	CHECKED BY & DATE T. ITO '01/01/30	mm		
REV. NO.	REV. DESCRIPTION	MATERIAL 材料	WIRE RANGE 適用線径範囲		SCALE 1/1	DESIGN UNITS ① mm ② INCH	MODEL NO. 55560-***8	APPROVED BY & DATE M. FUKUSHIMA '01/01/30			SHT 1	REV 0
			30 OVER 以上	±0.3				CAD FILENAME 55560008.S01	MATERIAL NO. SEE CHART	DRAWING NO. SD-55560-008		
REV. NO.	REV. DESCRIPTION	MATERIAL 材料	INS. RANGE 被覆外径		ANGLE 角度	±3°	2885 DRAWING CONTAINS INFORMATION THAT IS PROPRIETARY TO MOLEX INCORPORATED AND SHOULD NOT BE USED WITHOUT WRITTEN PERMISSION.					



16mm幅キャリアテープ  
16mm WIDTH CARRIER TAPE

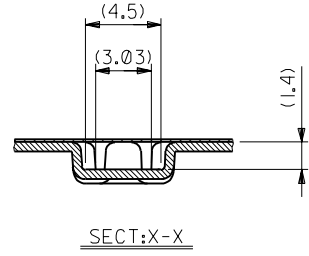
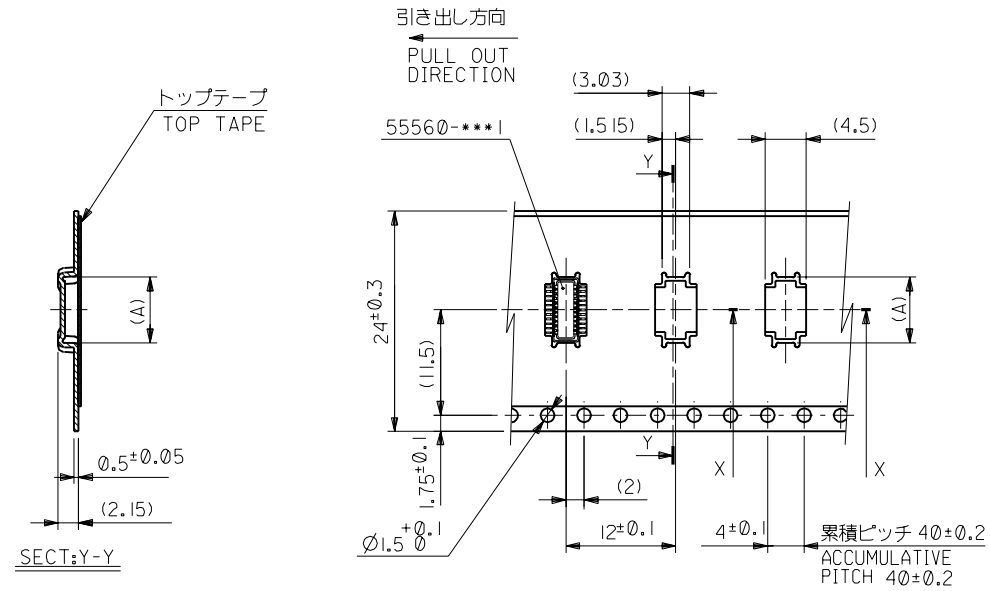
16	17.5	5.65	55560-0168	16
キャリアテープ幅 CARRIER TAPE WIDTH			B	(A)
MODEL NO.			55560-***8	DIMENSIONS:
			<input type="checkbox"/> mm	<input type="checkbox"/> INCH
			<input checked="" type="checkbox"/> mm	<input checked="" type="checkbox"/> INCH
			<input type="checkbox"/> mm ONLY	<input type="checkbox"/> INCH ONLY
			SHT	REV

EG4NO. DRWN: CHK: APPR:	EG3NO. DRWN: CHK: APPR:	EG2NO. DRWN: CHK: APPR:	REVISED EG1NO. JC2001-0604 DRWN: R.SHIINA '01/01/30 CHK: T.IITO APPR: M.FUKUSHIMA	PROPOSED EG0NO. JC2001-0402 DRWN: S.AIHARA '00/11/28 CHK: T.IITO APPR: M.FUKUSHIMA	MATERIAL 材料 SHEET 1 OF 3 参照 REFER TO SHEET 1 OF 3
			A	0	FINISH 仕上付 //
					WIRE RANGE 適用線径範囲 //
					INS. RANGE 被覆外径 //

GENERAL TOLERANCES: (UNLESS SPECIFIED) 一般公差		SCALE //	DESIGN UNITS <input checked="" type="checkbox"/> mm <input type="checkbox"/> INCH	PROJECTION <input checked="" type="checkbox"/> FIRST ANGLE	REVISIONS ON CAD ONLY
10 UNDER 未満	+0.2				
10 OVER 以上	30 UNDER 未満	+0.25			
30 OVER 以上		+0.3			
ANGLE 角度		+3°			

DRAWN BY & DATE S.AIHARA '00/11/28		CHECKED BY & DATE T.IITO '01/01/30		APPROVED BY & DATE M.FUKUSHIMA '01/01/30	
CAD FILENAME 55560008.S02		MATERIAL NO. SEE CHART		DRAWING NO. SD-55560-008	
SHEET NO. 2 OF 3		SIZE B		TITLE: 0.5 B-To-B Conn PLUG Assy (Hgt=1.5) Embstp Pkg	
MOLEX INCORPORATED					
THIS DRAWING CONTAINS INFORMATION THAT IS PROPRIETARY TO MOLEX INCORPORATED AND SHOULD NOT BE USED WITHOUT WRITTEN PERMISSION.					

DO NOT SCALE DRAWING



24mm幅キャリアテープ  
24mm WIDTH CARRIER TAPE

24	25.5	7.15	55560-0228	22
キャリアテープ幅 CARRIER TAPE WIDTH		B	(A)	種数 CIRCUIT
MODEL NO.	55560-***8		DIMENSIONS:	SHT   REV

④4NO. DRWN: CHK: APPR:	④3NO. DRWN: CHK: APPR:	④2NO. DRWN: CHK: APPR:	④1NO. JC2001-0604 DRWN: R.SHINA '01/01/30 CHK: T.IITO APPR: M.FUKUSHIMA	④0NO. JC2001-0402 DRWN: S.AIHARA '00/11/28 CHK: T.IITO APPR: M.FUKUSHIMA	MATERIAL 材料 SHEET 1 OF 2 参照 REFER TO SHEET 1 OF 2
④3NO. DRWN: CHK: APPR:	④2NO. DRWN: CHK: APPR:	④1NO. JC2001-0604 DRWN: R.SHINA '01/01/30 CHK: T.IITO APPR: M.FUKUSHIMA	④0NO. JC2001-0402 DRWN: S.AIHARA '00/11/28 CHK: T.IITO APPR: M.FUKUSHIMA	FINISH 仕上げ //	GENERAL TOLERANCES: (UNLESS SPECIFIED) 一般公差
④2NO. DRWN: CHK: APPR:	④1NO. JC2001-0604 DRWN: R.SHINA '01/01/30 CHK: T.IITO APPR: M.FUKUSHIMA	④0NO. JC2001-0402 DRWN: S.AIHARA '00/11/28 CHK: T.IITO APPR: M.FUKUSHIMA	WIRE RANGE 適用線径範囲 //	INS. RANGE 被覆外径 //	SCALE 1/1 DESIGN UNITS <input checked="" type="checkbox"/> mm <input type="checkbox"/> INCH PROJECTION <input checked="" type="checkbox"/> FIRST ANGLE <input type="checkbox"/> THIRD ANGLE DIMENSIONS: <input type="checkbox"/> mm <input type="checkbox"/> INCH <input checked="" type="checkbox"/> mm ONLY <input type="checkbox"/> INCH ONLY TITLE: 0.5 B-To-B Conn PLUG Assy (Hgt=1.5) Embstp Pkg
④1NO. JC2001-0604 DRWN: R.SHINA '01/01/30 CHK: T.IITO APPR: M.FUKUSHIMA	④0NO. JC2001-0402 DRWN: S.AIHARA '00/11/28 CHK: T.IITO APPR: M.FUKUSHIMA	WIRE RANGE 適用線径範囲 //	INS. RANGE 被覆外径 //	ANGLE 角度 +3°	APPROVED BY & DATE M.FUKUSHIMA '01/01/30
④0NO. JC2001-0402 DRWN: S.AIHARA '00/11/28 CHK: T.IITO APPR: M.FUKUSHIMA	WIRE RANGE 適用線径範囲 //	INS. RANGE 被覆外径 //	CAD FILENAME 55560008.S03	MATERIAL NO. SEE CHART	DRAWING NO. SD-55560-008
④0NO. JC2001-0402 DRWN: S.AIHARA '00/11/28 CHK: T.IITO APPR: M.FUKUSHIMA	CAD FILENAME 55560008.S03	MATERIAL NO. SEE CHART	DRAWING NO. SD-55560-008	SHEET NO. 3 OF 3	SIZE B

SCALE 1/1 DESIGN UNITS <input checked="" type="checkbox"/> mm <input type="checkbox"/> INCH PROJECTION <input checked="" type="checkbox"/> FIRST ANGLE <input type="checkbox"/> THIRD ANGLE DIMENSIONS: <input type="checkbox"/> mm <input type="checkbox"/> INCH <input checked="" type="checkbox"/> mm ONLY <input type="checkbox"/> INCH ONLY TITLE: 0.5 B-To-B Conn PLUG Assy (Hgt=1.5) Embstp Pkg	APPROVED BY & DATE M.FUKUSHIMA '01/01/30	CAD FILENAME 55560008.S03	MATERIAL NO. SEE CHART	DRAWING NO. SD-55560-008	SHEET NO. 3 OF 3	SIZE B
THIS DRAWING CONTAINS INFORMATION THAT IS PROPRIETARY TO MOLEX INCORPORATED AND SHOULD NOT BE USED WITHOUT WRITTEN PERMISSION.						

DO NOT SCALE DRAWING