

# CPB7410-0250F

## SMK 板对板 10pin FPC连接器

SMK 0.4mm间距 0.8mm高度 10pin FPC连接器 公头。

Series PB-4A

Product Name 0.4mm Pitch Board to Board Connector

Parts No. CPB7410-0250F

Outline?Feature

Usage Mobile phones, DSCs, etc

Standard

External Dimension Width: 3.95mm Depth: 1.9mm Height: mm

Packaging Taping/Reel

Pitch 0.4mm

Mating Height 0.8mm

Number of Pins 10

Rating AC/DC 50V 0.2A

Contact Resistance 30m Max.

Insulation Resistance 100M Min.

Withstanding Voltage 100V (for one minute)

Operating Temperature Range -40 ~ 85

Socket Housing

Socket Contact

Socket Hold Down

Plug Housing Thermoplastic Resin, Black

Plug Contact Cu Alloy, Au Plating

Plug Hold Down Steel Use Stainless (SUS), Sn Plating

Socket/Plug Plug

Hold Down With

恭文科技(香港)有限公司主要经营各类停产以及紧缺现货库存, 包括IC, LED, 连接器等。

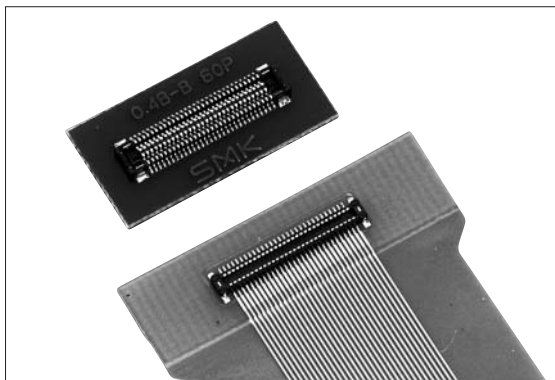
电话: 0755-82529775, 83131717

传真: 0755-83138727

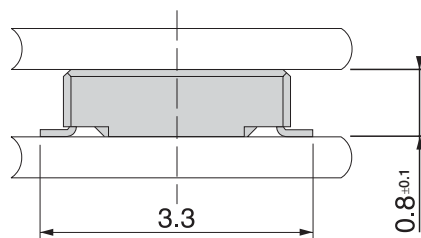
手机: 13823737353王生

网址: <http://www.icsourse.com>

# PB-4A Series 0.4mm Pitch, 0.8mm Stacking Height



## ■ Connection Diagram



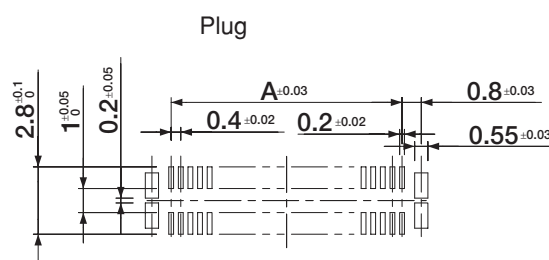
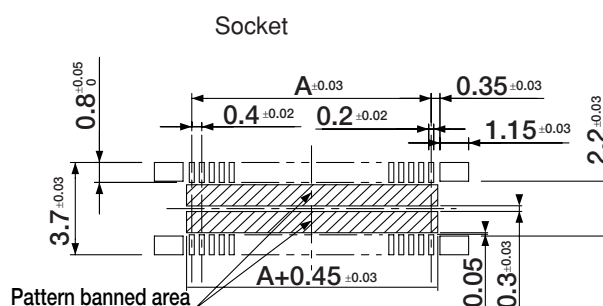
## ■ Features

1. 3.3mm width and 0.8mm height when mounted, a good choice for equipment downsizing.
2. Added mating strength due to locking structure of hold down (reinforcement), and presence of positive clicking feeling when locking.
3. Good solderability : Insertion-moulding can prevent 'solder rise' (in plug side)  
: Nickel barrier plating is in standard spec. (in socket side)
4. Unique contact design in socket can prevent deformation of contact when mated with plug and also assure excellent mating operation efficiency.
5. Connectors for test are available on each pins.

## ■ Specification

1. Rating : 0.2A, 50V AC/DC
2. Contact Resistance : 30m Ω max., initially
3. Insulation Resistance : 100M Ω min. at 100V DC
4. Withstanding Voltage : 100V AC (for one minute)
5. Operating Temperature Range : -40°C to +85°C

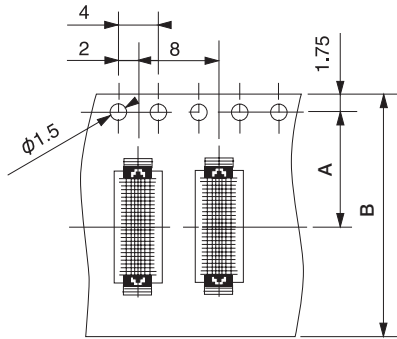
## ■ P.C. Board Dimension





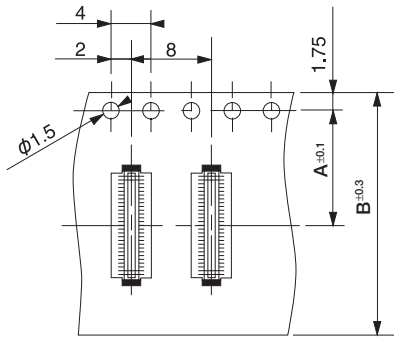
Dimensions of Reels and Tapes (JIS Standard)

● Socket



No. of Pins	□□	A	B
10	10	5.5	12.0
16	16	7.5	16.0
22	22		
24	24		
26	26		
28	28		
30	30		
36	36	11.5	24.0
40	40		
42	42		
46	46		
50	50		
60	60	14.2	32.0
70	70		
76	76		
80	80		

● Plug



No. of Pins	□□	A	B
10	10	5.5	12.0
16	16	7.5	16.0
22	22		
24	24		
26	26		
28	28		
30	30		
36	36	11.5	24.0
40	40		
42	42		
46	46		
50	50		
60	60	14.2	32.0
70	70		
76	76		
80	80		

■ Reel Dimension  
5,000pcs/reel  
(Socket, Plug)

